

1. General

This Passive IR Sensor Module allows automatic switching for lights or other equipment connected to the Easyplus Home Automation System when a person is detected.

Usage includes automated on/off controls, etc. for lamps, desk lamps, indoor lights, halls, stairway lights, etc.

The sensor works by detecting heat from moving parts or persons.

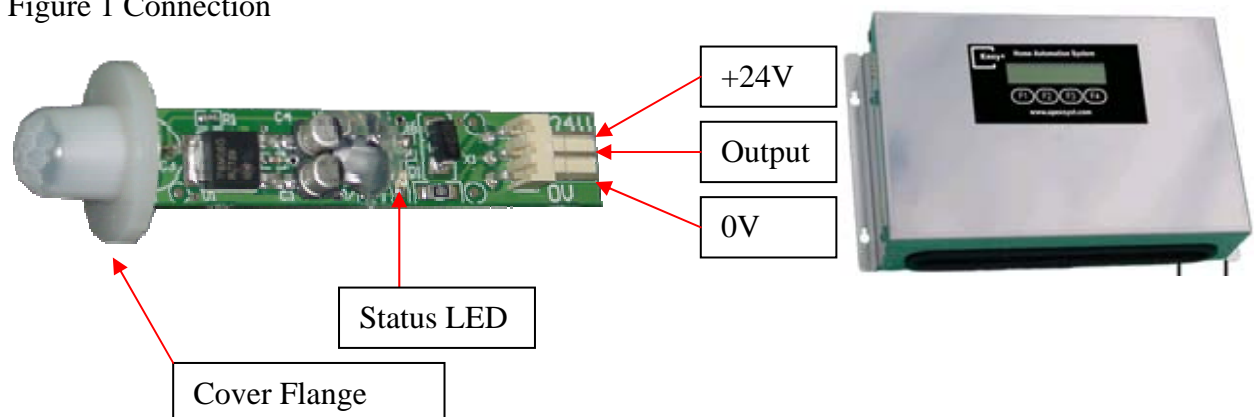


2. Features

- 12-24 V operation.
- Led indicator on the output.
- Detection range 5 meters.
- Directly connects to the Home Automation Master or to a DIS Digital Input Module.
- Slim line : fits inside 5/8 “ tubing.
- With 3 wire connector for easy installation.
- Active High Output.

3. Installation & Connections

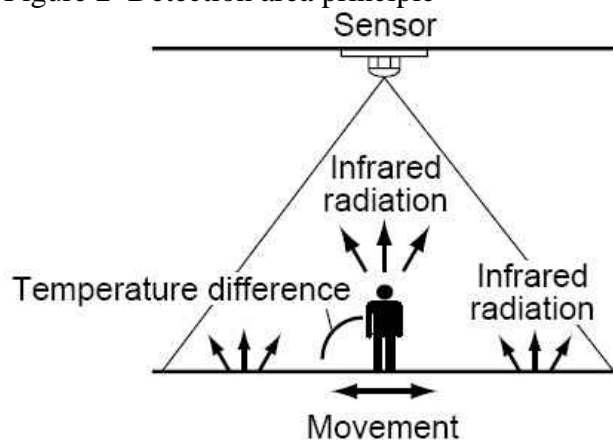
Figure 1 Connection



Do **NOT** connect the PIR to a DLQ module.

4. Detection Area

Figure 2 Detection area principle



In general, the larger the temperature difference of the object compared to the surrounding area the more sensitive it will be.

Larger objects or persons are more easily detected than smaller ones.

Figure 3 Side Sensitivity Diagram

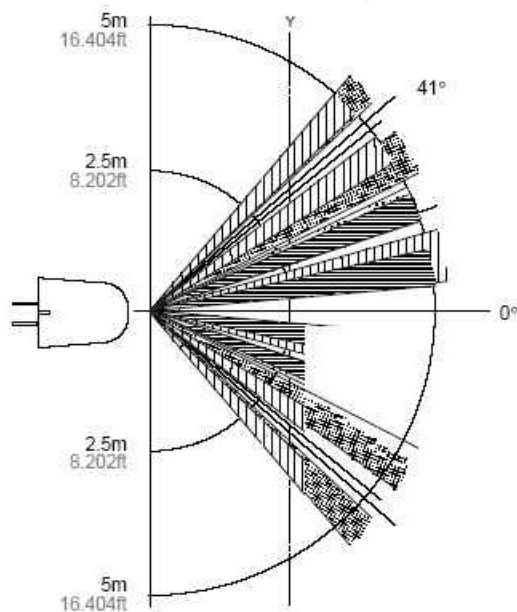
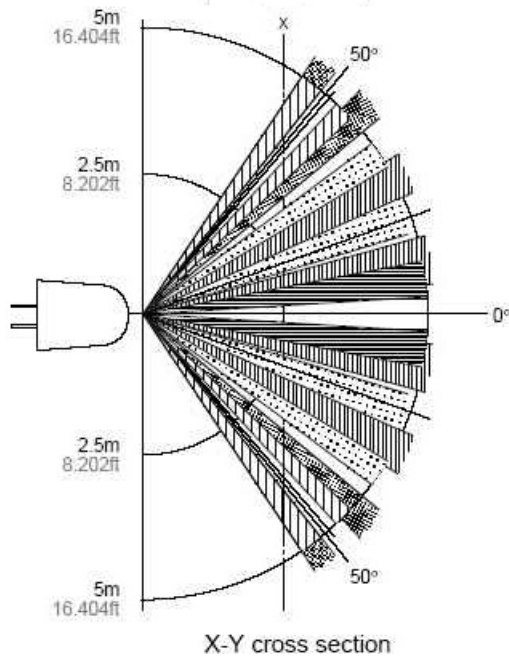


Figure 4 Top Sensitivity Diagram

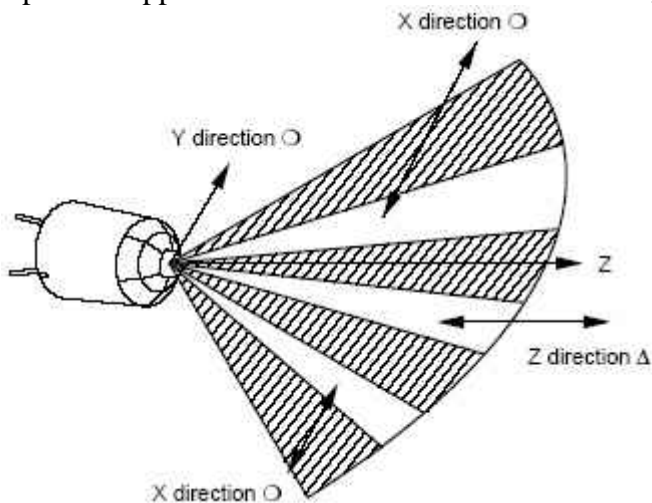


5. Notes

To avoid false detections it is advised to avoid mounting the sensor near:

- Moving curtains
- Heat sources
- Other moving objects (doors etc)

Also keep in mind that dogs, cats and other domestic animals will also trigger the sensor. Install the sensor so that people will be entering from the X or Y direction shown below. If persons approach the sensor from the Z direction, detection distance will be shortened.



6. Ordering information

PIR09041 PIR Sensor Module

7. Technical specification

| | |
|-----------------------|--|
| Supply voltage | 12V-24V (higher voltages will destroy the module!) |
| Current consumption | 6mA |
| Output Voltage | 24V (activated) |
| Max. Output Current | 20 mA |
| Connection Cable | 3p 30 cm included. |
| PCB Dimension | 60 * 10 mm |
| Operating temperature | -10. . 40°C |
| Net weight | 15 gr. |

Table of Contents

| | |
|---|---|
| 1. General | 1 |
| 2. Features | 1 |
| 3. Installation & Connections..... | 1 |
| 4. Detection Area..... | 2 |
| 5. Notes..... | 3 |
| 6. Ordering information..... | 4 |
| 7. Technical specification..... | 4 |
| FIGURE 1 CONNECTION | 1 |
| FIGURE 2 DETECTION AREA PRINCIPLE | 2 |
| FIGURE 3 SIDE SENSITIVITY DIAGRAM | 2 |
| FIGURE 4 TOP SENSITIVITY DIAGRAM..... | 3 |